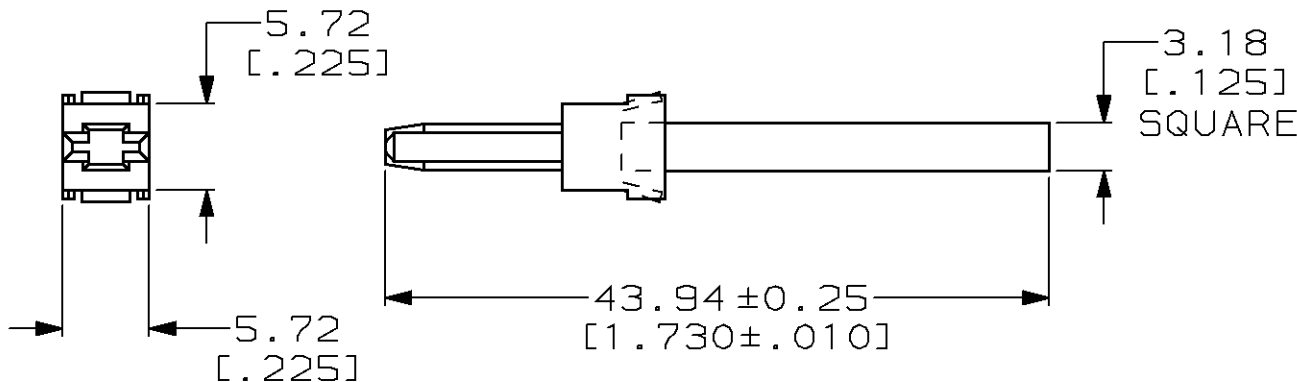


MOD 4	LOC BD	DIST 35	REVISIONS					
P	F	LTR	DESCRIPTION	DATE	APPROVED			
		B	REDRAWN W/O CHANGE PER EC 0020-600-94	06/16/94	AF			



THIS DRAWING IS UNPUBLISHED. BY AMP INCORPORATED. ALL INTERNATIONAL RIGHTS RESERVED. © COPYRIGHT 19

207597-1

PART NO

DO NOT SCALE PRINT. UNLESS SPECIFIED. DIMENSIONS IN mm [IN] TOLERANCES ON: 2 PLC DEC ± 0.13 [.005] 3 PLC DEC ± - ANGLES ± -	DR 06/16/94 K.FOLTZ	AMP AMP Incorporated Harrisburg, PA 17105-3608
	CHK 06/23/94 R.STONE	
MATERIAL FLAME RETARDANT THERMOPLASTIC COLOR: BLACK	APPD 08/09/94 A.FRANTUM	NAME KEYING PLUG, TYPE XII, CPC (FOR PIN HALF)
FINISH -	APPD 08/09/94 A.FRANTUM	SIZE A
	PRODUCT SPEC -	CAGE CODE 00779
	APPLICATION SPEC -	DRAWING NO C-207597
	WEIGHT -	SCALE 2:1
		SHEET 1 OF 1